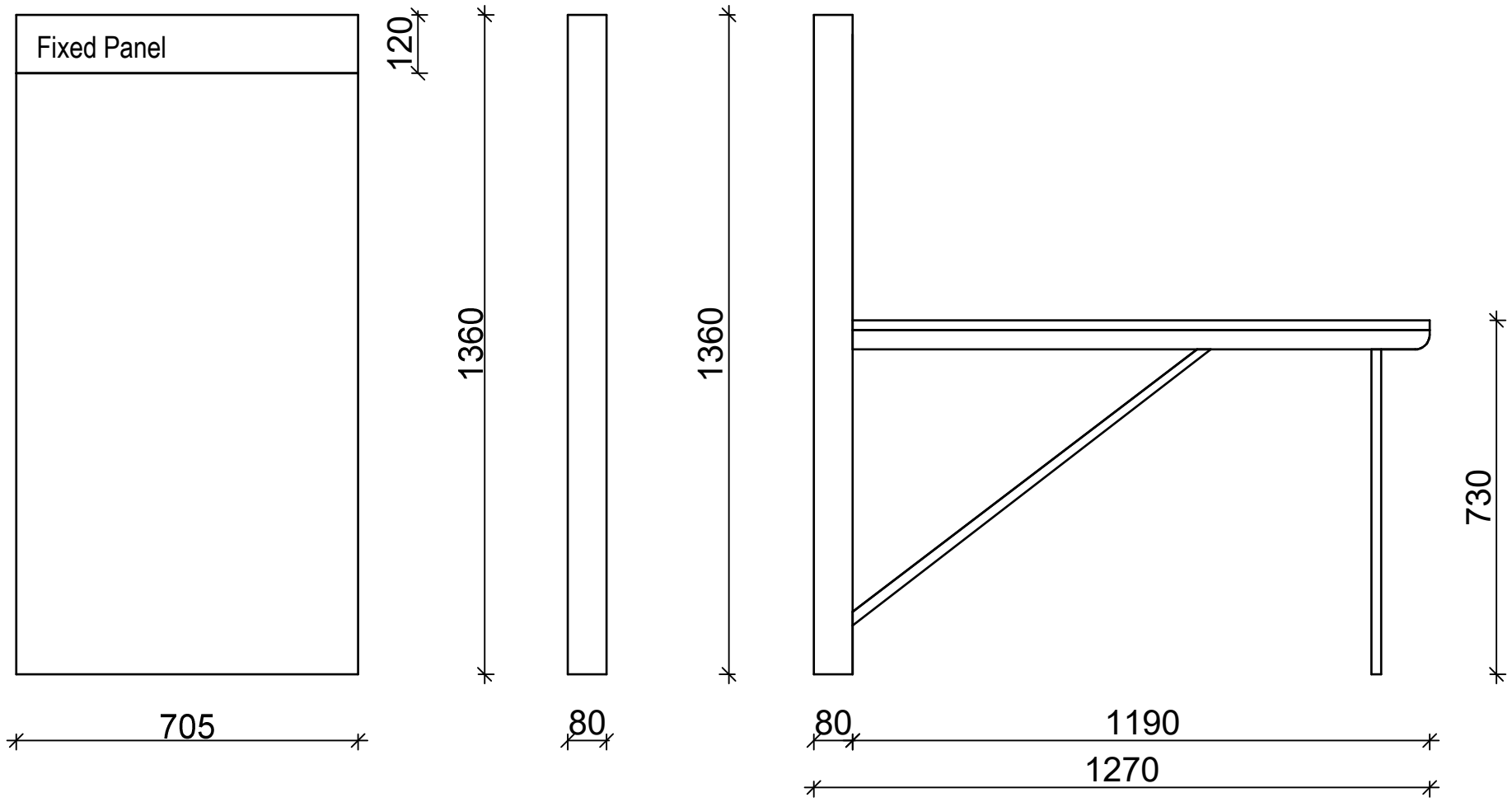
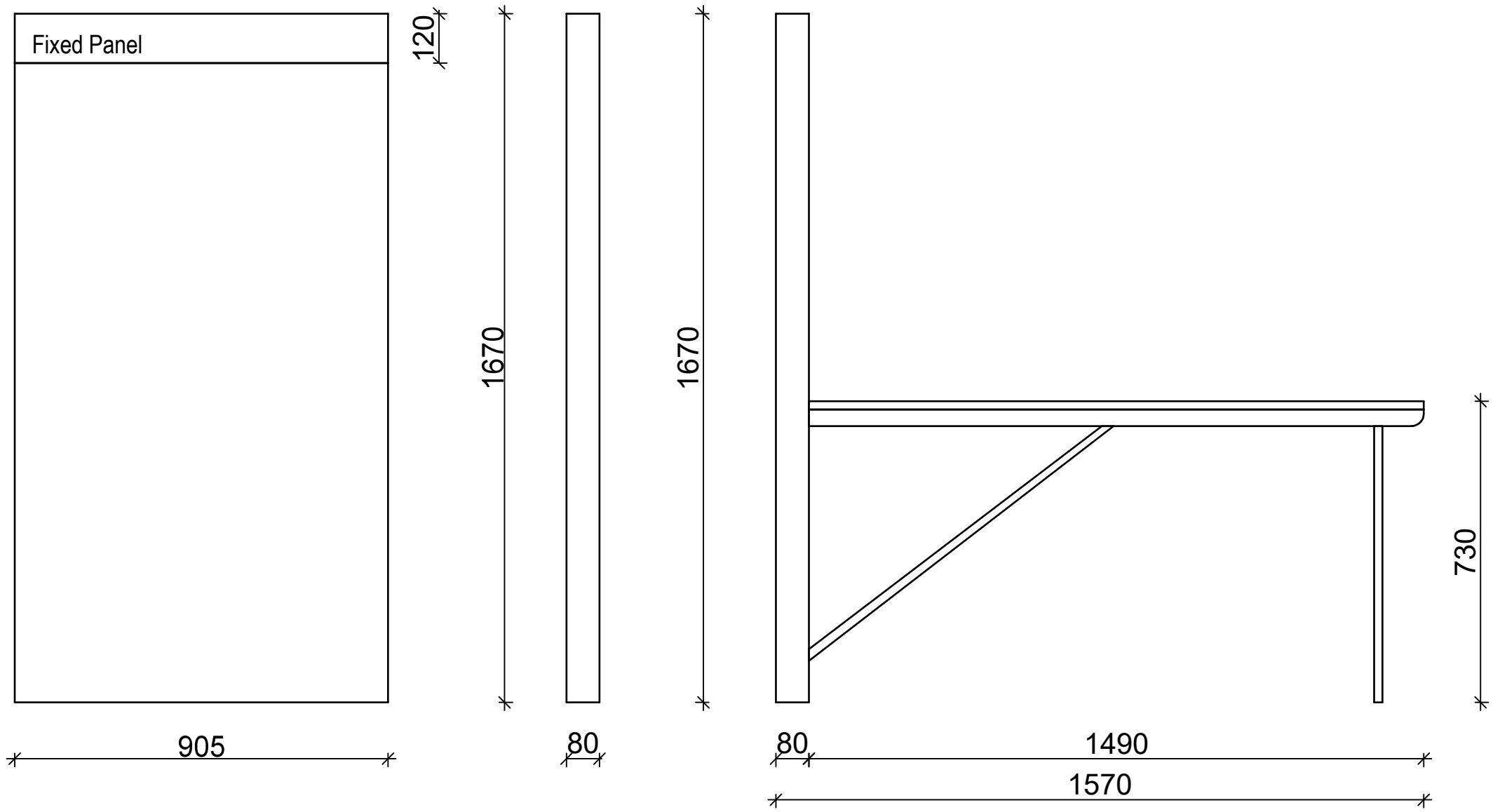


BATA TABLE S



BATA TABLE L



*Measurements are subject to change without notice.
Please check with Interfar if critical dimensions are required.